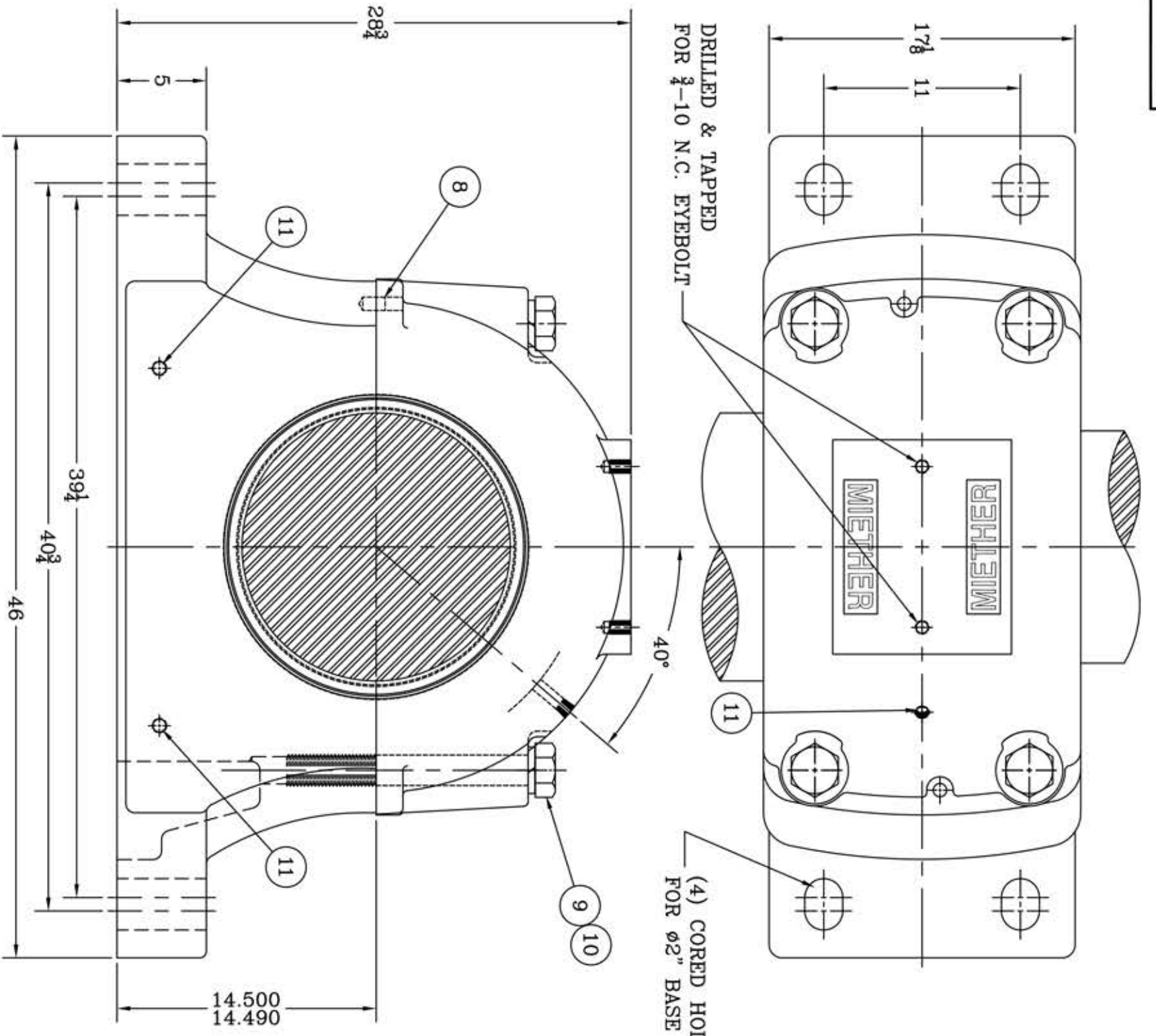
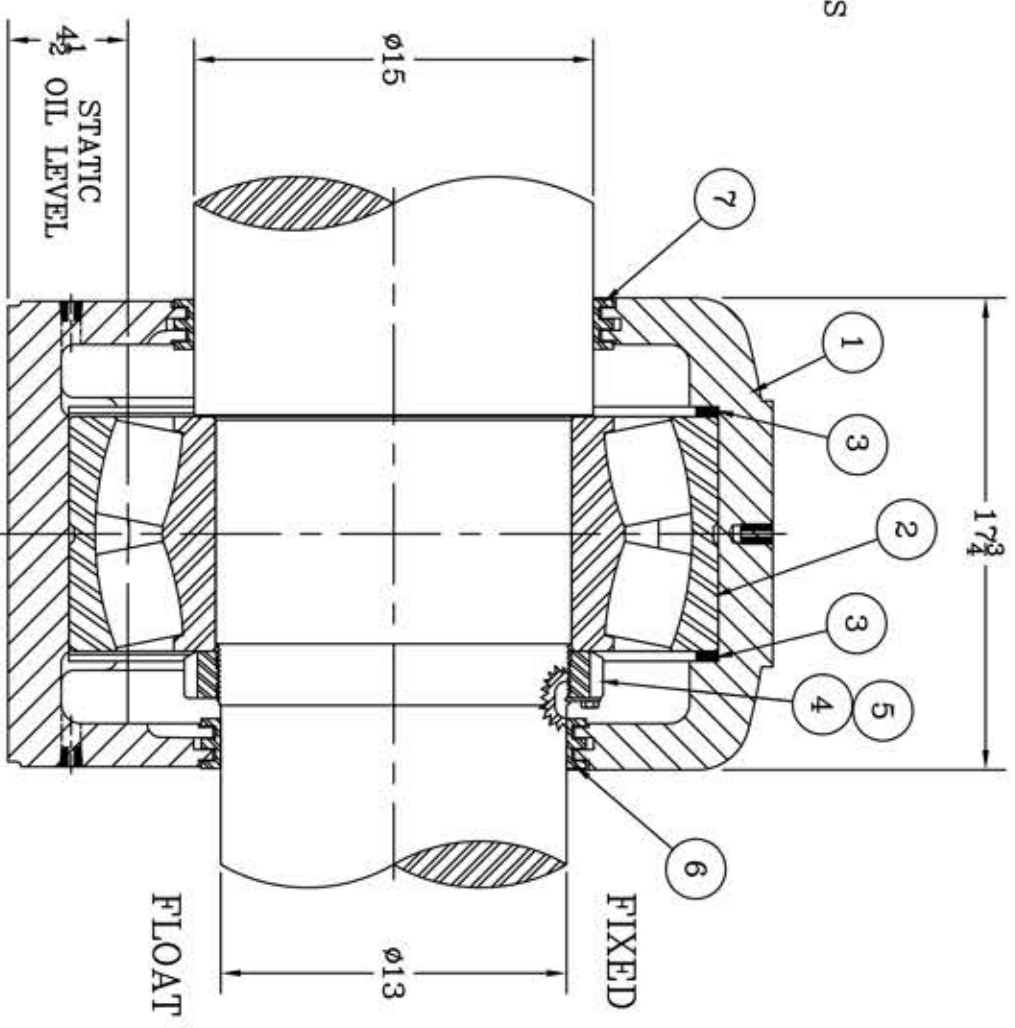


This drawing is the sole property of Miether Bearing Products and contains confidential and proprietary information. It is being provided to you for your use and may not be disclosed to any third party or used for any other purpose without Miether's prior written consent. The [materials] must be returned to the Company upon its demand. Your acceptance of these materials constitutes your acceptance of the foregoing terms.

C-29280



ITEM	DESCRIPTION	DETAIL	REQUIRED
1	HOUSING SDAF 3268 15x13	C-29281-R	1 1
2	SPHERICAL ROLLER BEARING	23268	1 1
3	STABILIZING RING AB978	A-11459	2 0
4	LOCKNUT N-068	B-10053	1 1
5	LOCKPLATE P-68	A-10147	1 1
6	TRIPLE SEAL RING ER-846	A-11637	1 1
7	TRIPLE SEAL RING ER-847	A-16554	1 1
8	DOWEL	Ø 3/4 x 1 1/4 LONG	2 2
9	CAP BOLT HEX. HEAD	1 1/4-5 NC x 13" LONG	4 4
10	LOCKWASHER	1 1/2 SPLIT MED.	4 4
11	PIPE PLUG	1/2-14 NPT	5 5



REDRAWN FOR CONFORMITY  
RWB per KAB  
3-2-05

REVISIONS

SYMBOL	DESCRIPTION
✓ C	16
✓ D	32
✓ E	63
✓ F	125
✓ G	250
✓ J	500
✓ K	1000

TOLERANCE: UNLESS OTHERWISE SPECIFIED  
FRACTIONS +- 1/32" ANGLES +- 0° 30'  
DECIMALS +- .005" WELD +- 1/16"  
CASTING +- 1/16"

A.I.S.I. STANDARD FINISHES

SDAF 23268 15-00 x 13-00  
ASSEMBLY DRAWING

SCALE 1 = 5  
DRAWN RWB  
DATE 6/11/99  
CHK:

AN ALCO INDUSTRIES COMPANY  
BEARING PRODUCTS  
ODESSA, TX. USA

ASSEMBLY NO.  
DRAWING NO.  
C-29280